



The information in this document is subject to change without notice and should not be construed as a commitment by ABB. ABB assumes no responsibility for any errors that may appear in this document.

Except as may be expressly stated anywhere in this document, nothing herein shall be construed as any kind of guarantee or warranty by ABB for losses, damages to persons or property, fitness for a specific purpose or the like.

In no event shall ABB be liable for incidental or consequential damages arising from use of this document.

This document and parts thereof must not be reproduced or copied without ABB's written permission, and contents thereof must not be imparted to a third party nor be used for any unauthorized purpose. Contravention will be prosecuted.

Additional copies of this document may be obtained from ABB at its then current charge.

© Copyright 2004 ABB ALL right reserved.

ABB Automation Technologies AB
Robotics
SE-721 68 Västerås
Sweden

We reserve all rights in this document and in the information contained therein. Reproduction, use or disclosure to third parties without express authority is strictly forbidden. © Copyright 2003 ABB

Latest revision:
ECO 67975, WI 74736
Sh 6: CP/CS harness added.

Prepared by, date: Erik Mesaros Approved by, date: Jan Erik Nähls



Lab/Office:
DMRO SE/
PRIM

COPYRIGHT page

Status: 2014-11-28

APPROVED

Document no.
3HAC028647-009

Plant: =
Location: + Manipulator
Sublocation: +

Rev. Ind 03
Next 2
Total 13



Customer :
 Control cabinet :
 Drawing number : 3HAC028647-009
 Drawing version :

Manufacture :
 Type :
 Type of installation :
 Control cabinet :
 Mains voltage :
 Supply :
 Control voltage :
 Year of construction :

Project start :
 Project manager :
 Last revision :
 Designed by : SEERMES
 Designed date : 2014-11-20
 Number of pages :
 :

We reserve all rights in this document and in the information contained therein. Reproduction, use or disclosure to third parties without express authority is strictly forbidden. © Copyright 2003 ABB

Latest revision:
 ECO 67975, WI 74736
 Sh 6: CP/CS harness added.



Lab/Office:
 DMRO SE/
 PRIM

TITLE PAGE

Status: 2014-11-28

APPROVED

Plant: =
 Location: + Manipulator
 Sublocation: +

Document no.
 3HAC028647-009

Rev. Ind	2
03	Next 3
	Total 13

Prepared by, date: Erik Mesaros Approved by, date: Jan Erik Nähls

Table of contents

ABB Contents1

Page	Page description	Comment
1	COPYRIGHT page	
2	TITLE PAGE	
3	Table of contents: (1 - 109)	
4	Revision note	
5	Legend	
6	Connection point location	
103	Serial measuring board	Incl. 7th axis connection (optional)
104	Motor axis 1-3	
105	Motor axis 4 OPTION: LED-lamp	
106	Feed-back axis 1-2	
107	Feed-back axis 3-4	
108	OPTION: Ejector unit	
109	OPTION: External connections	

We reserve all rights in this document and in the information contained therein. Reproduction, use or disclosure to third parties without express authority is strictly forbidden. © Copyright 2003 ABB

REVISION NOTE:

Rev 00:

New

Rev 01:

ECO 47928, WI 36302

7th axis connection added.

Rev 02:

ECO 57579, WI 53380

Sh 109: -XP1 was R1.MP.

Rev 03:

ECO 67975, WI 74736

Sh 6: Graphic view over CP/CS harness added.

We reserve all rights in this document and in the information contained therein. Reproduction, use or disclosure to third parties without express authority is strictly forbidden. © Copyright 2003 ABB

Latest revision:
ECO 67975, WI 74736
Sh 6: CP/CS harness added.



Lab/Office:
DMRO SE/
PRIM

Revision note

Status: 2014-11-28

APPROVED

Document no.
3HAC028647-009

Plant: =
Location: + Manipulator
Sublocation: +

Rev. Ind
03

4
Next =IRB360
Total 13

Prepared by, date: Erik Mesaros Approved by, date: Jan Erik Nähls

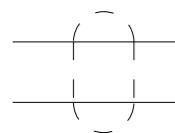
M Motor
 B Brake
 PTC Temp sensor (PTC- resistor)
 R Resolver



Protective Earth



Twisted wires



Screened wires

We reserve all rights in this document and in the information contained therein. Reproduction, use or disclosure to third parties without express authority is strictly forbidden. © Copyright 2003 ABB

Latest revision:
 ECO 67975, WI 74736
 Sh 6: CP/CS harness added.

Prepared by, date: Erik Mesaros Approved by, date: Jan Erik Nähls



Lab/Office:
 DMRO SE/
 PRIM

Legend

Status: 2014-11-28

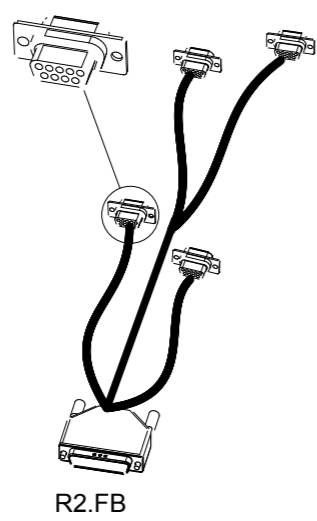
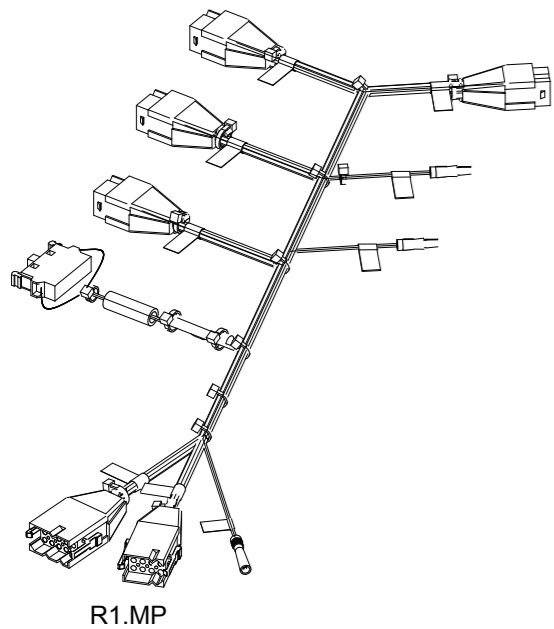
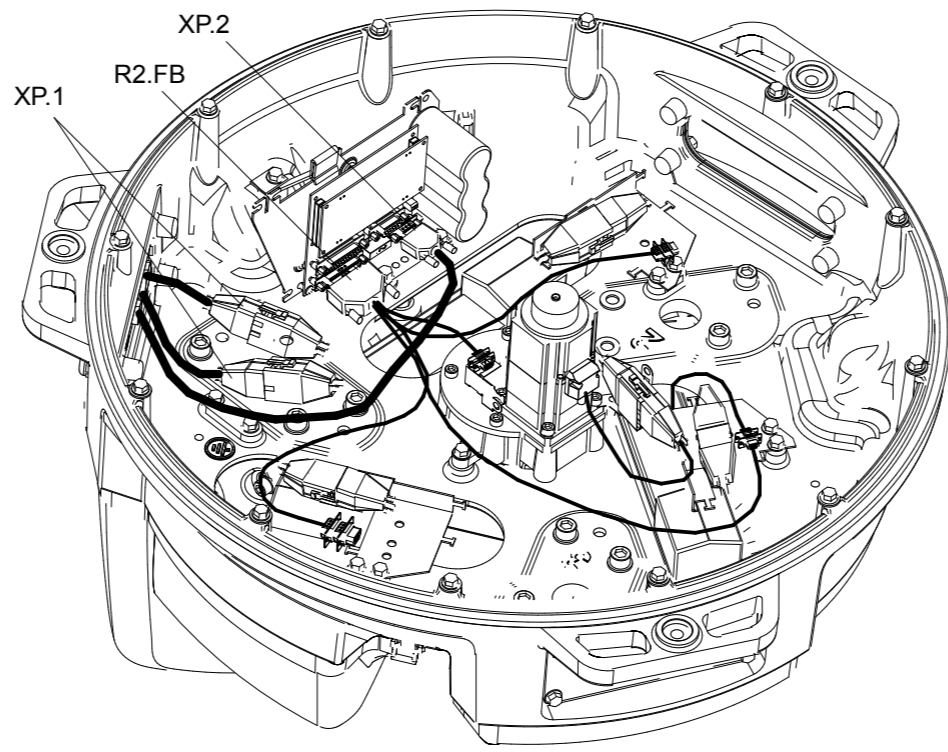
APPROVED

Document no.
 3HAC028647-009

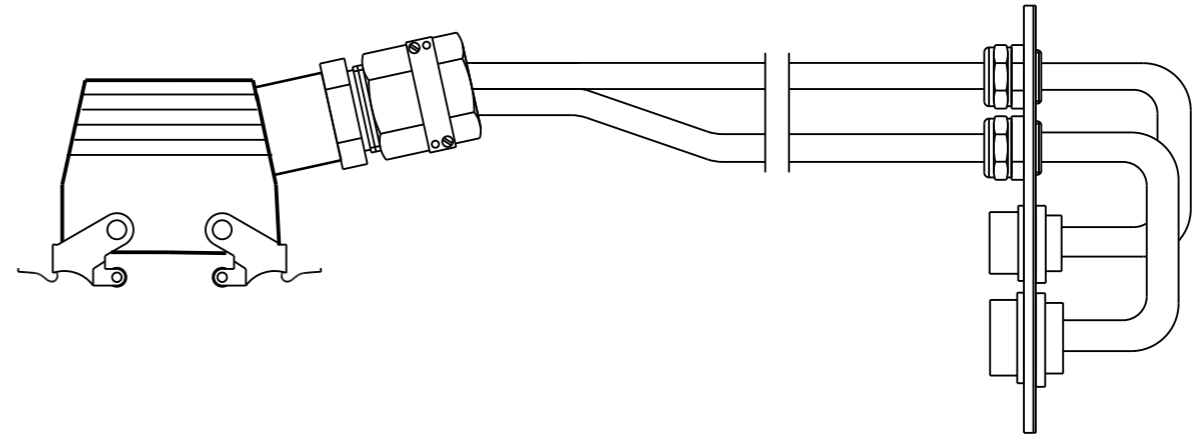
Plant: = IRB360
 Location: + Manipulator
 Sublocation: +

Rev. Ind	5
03	Next 6
	Total 13

We reserve all rights in this document and in the information contained therein. Reproduction, use or disclosure to third parties without express authority is strictly forbidden. © Copyright 2003 ABB



R2.FB7



Customer option, to see the circuit diagram, see 3HAC024480-011, page 87.

Latest revision:
ECO 67975, WI 74736
Sh 6: CP/CS harness added.

Prepared by, date: Erik Mesaros
Approved by, date: Jan Erik Nähls



Lab/Office:
DMRO SE/
PRIM

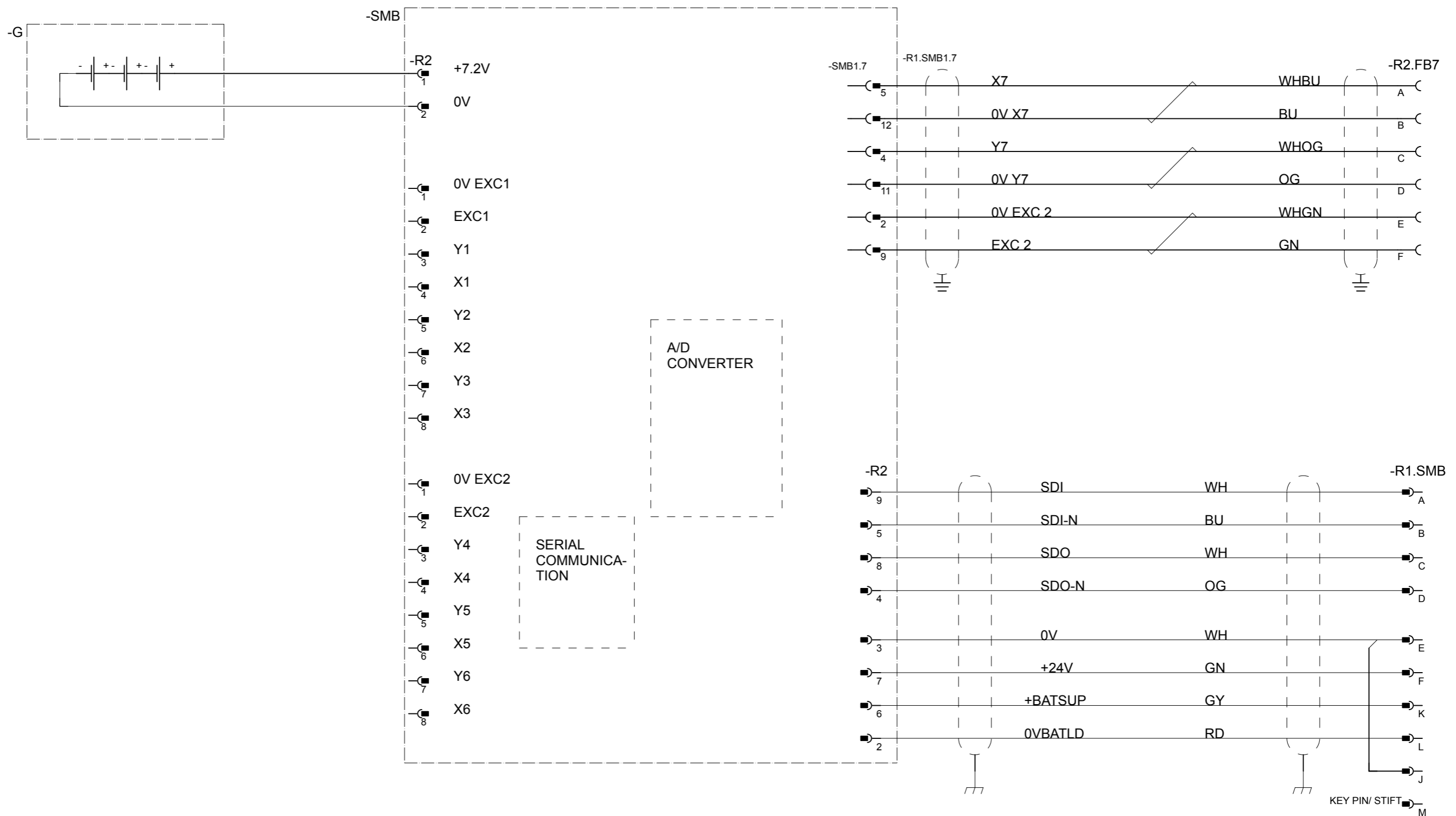
Connection point location

Status: 2014-11-28
APPROVED
Document no.
3HAC028647-009

Plant: = IRB360
Location: + Manipulator
Sublocation: +

Rev. Ind	6
03	Next 103
	Total 13

We reserve all rights in this document and in the information contained therein. Reproduction, use or disclosure to third parties without express authority is strictly forbidden. © Copyright 2003 ABB



Latest revision:
ECO 67975, WI 74736
Sh 6: CP/CS harness added.

Prepared by, date: Erik Mesaros Approved by, date: Jan Erik Nähls



Lab/Office:
DMRO SE/
PRIM

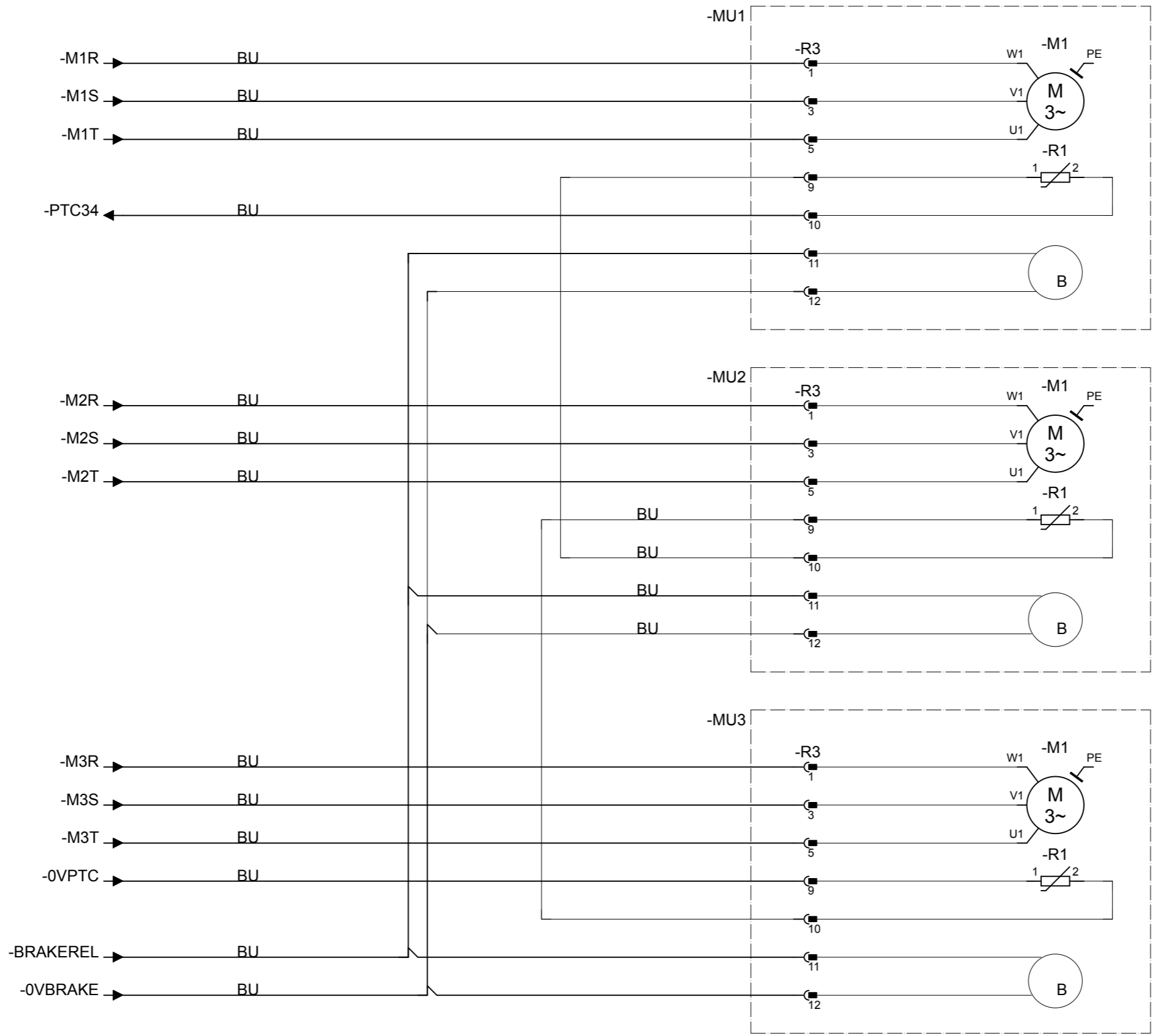
Serial measuring board

Status: 2014-11-28
APPROVED

Plant: = IRB360
Location: + Manipulator
Sublocation: +

Document no.
3HAC028647-009

Rev. Ind	103
03	Next 104
	Total 13



We reserve all rights in this document and in the information contained therein. Reproduction, use or disclosure to third parties without express authority is strictly forbidden. © Copyright 2003 ABB

Latest revision:
ECO 67975, WI 74736
Sh 6: CP/CS harness added.

Prepared by, date: Erik Mesaros
Approved by, date: Jan Erik Nähls



Lab/Office:
DMRO SE/
PRIM

Motor axis 1-3

Status: 2014-11-28

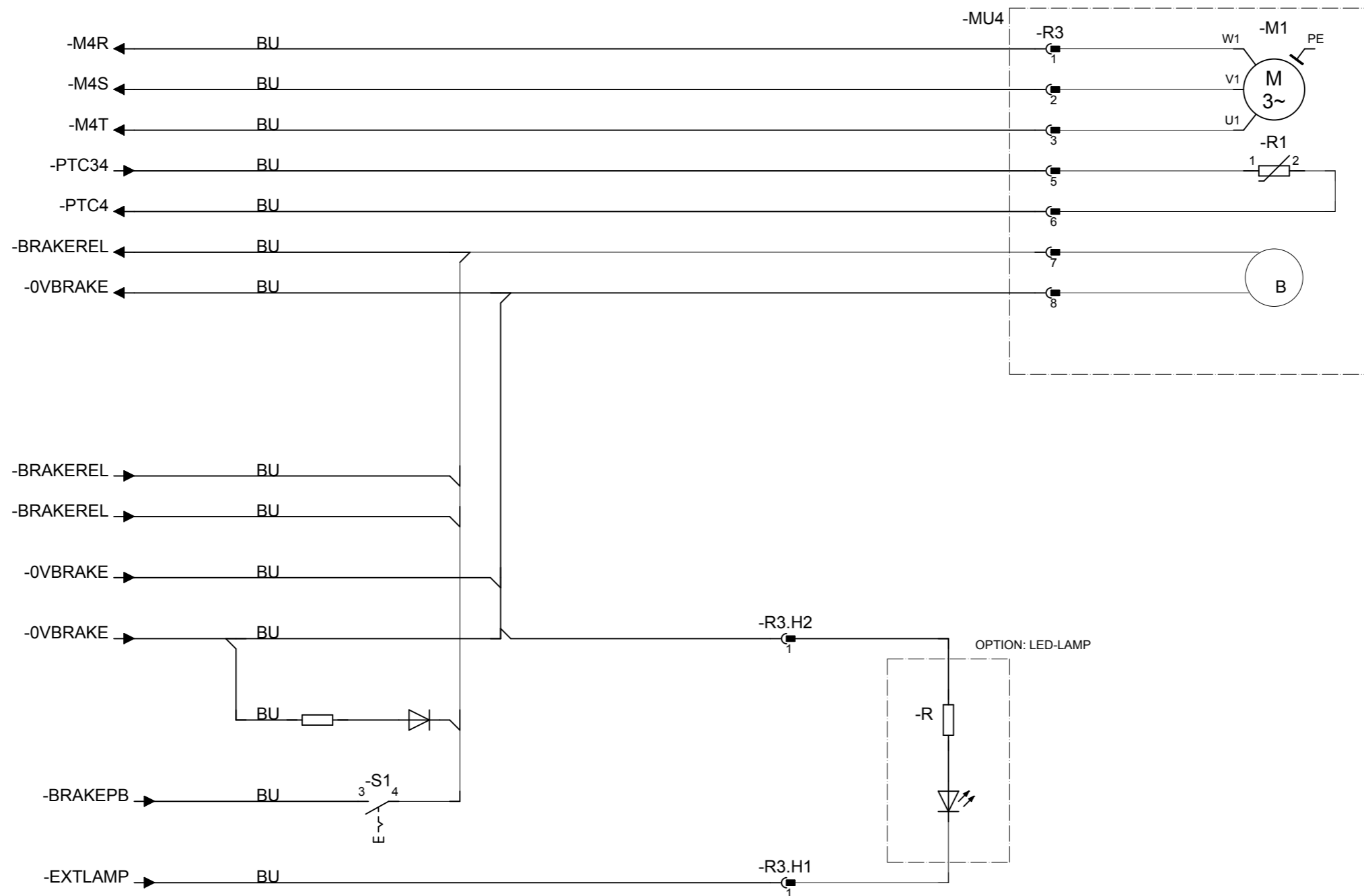
APPROVED

Document no.
3HAC028647-009

Plant: = IRB360
Location: + Manipulator
Sublocation: +

Rev. Ind	104
03	Next 105
	Total 13

We reserve all rights in this document and in the information contained therein. Reproduction, use or disclosure to third parties without express authority is strictly forbidden. © Copyright 2003 ABB



Latest revision:
ECO 67975, WI 74736
Sh 6: CP/CS harness added.

Prepared by, date: Erik Mesaros Approved by, date: Jan Erik Nähls



Lab/Office:
DMRO SE/
PRIM

Motor axis 4
OPTION: LED-lamp

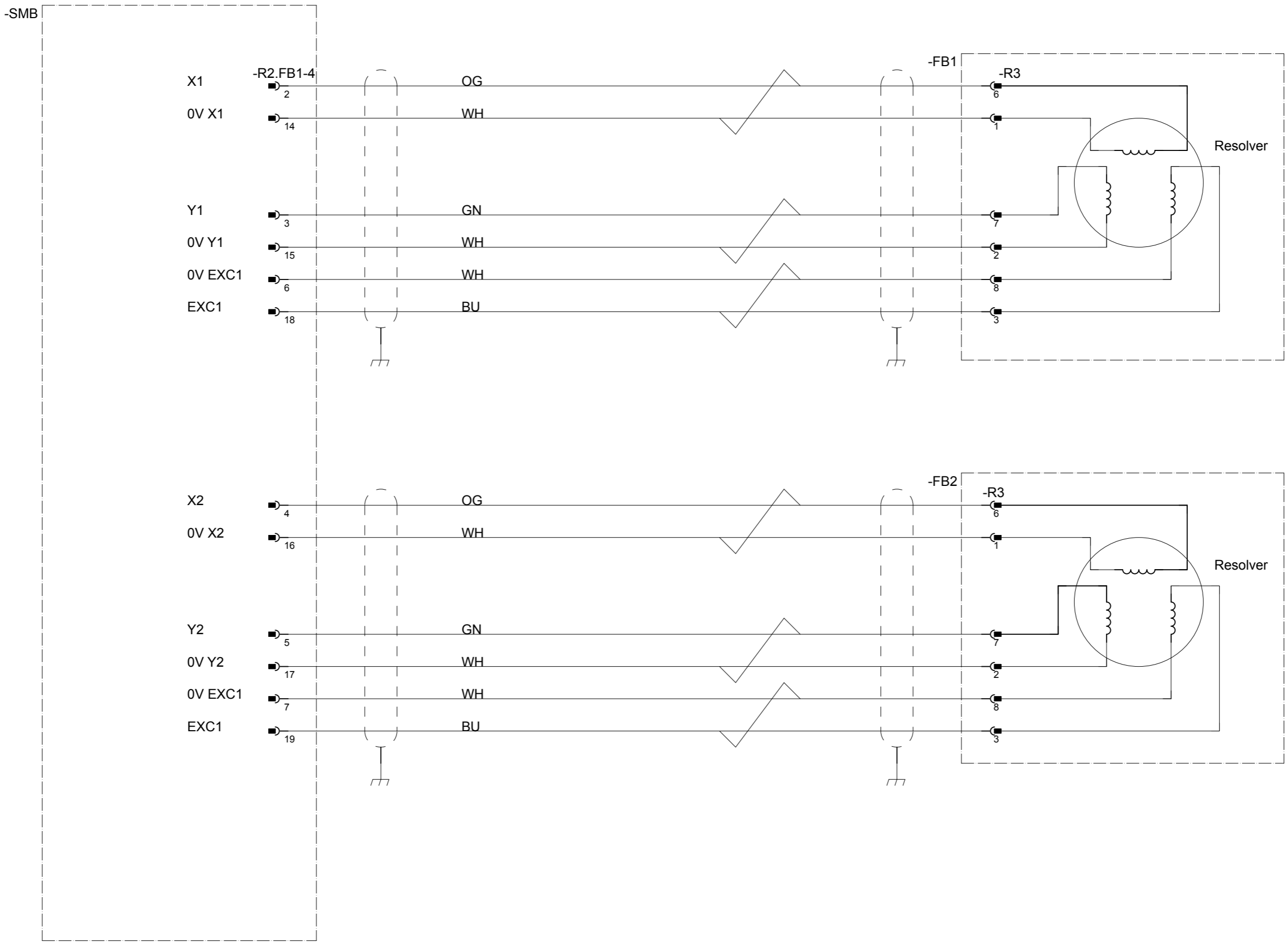
Status: 2014-11-28

APPROVED

Document no.
3HAC028647-009

Plant: = IRB360
Location: + Manipulator
Sublocation: +

Rev. Ind	105
03	Next 106
	Total 13



We reserve all rights in this document and in the information contained therein. Reproduction, use or disclosure to third parties without express authority is strictly forbidden. © Copyright 2003 ABB

Latest revision:
ECO 67975, WI 74736
Sh 6: CP/CS harness added.

Prepared by, date: Erik Mesaros Approved by, date: Jan Erik Nähls



Lab/Office:
DMRO SE/
PRIM

Feed-back axis 1-2

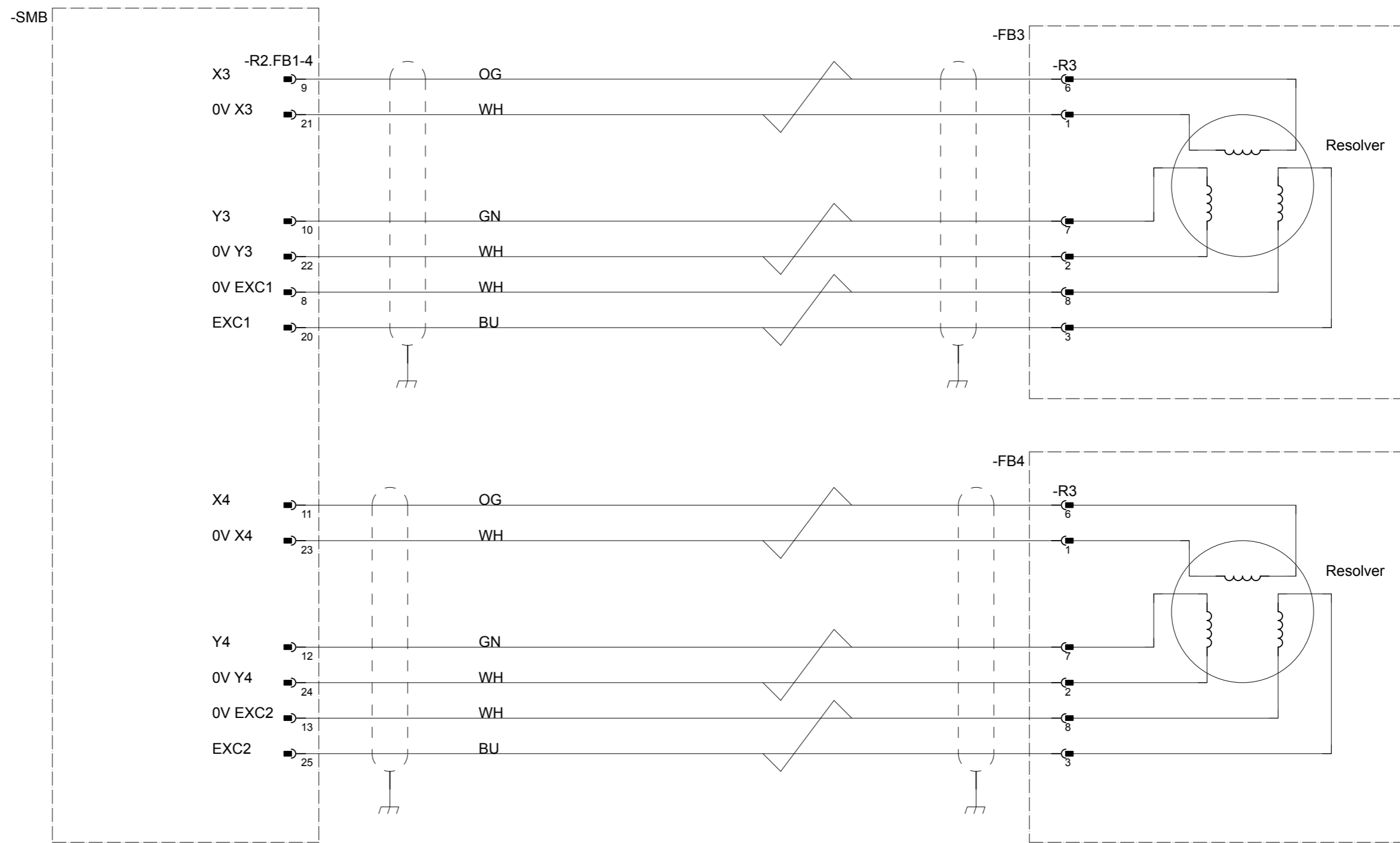
Status: 2014-11-28
APPROVED

Plant: = IRB360
Location: + Manipulator
Sublocation: +

Document no.
3HAC028647-009

Rev. Ind	106
03	Next 107
	Total 13

We reserve all rights in this document and in the information contained therein. Reproduction, use or disclosure to third parties without express authority is strictly forbidden. © Copyright 2003 ABB



Latest revision:
ECO 67975, WI 74736
Sh 6: CP/CS harness added.

Prepared by, date: Erik Mesaros
Approved by, date: Jan Erik Nähls



Lab/Office:
DMRO SE/
PRIM

Feed-back axis 3-4

Status: 2014-11-28

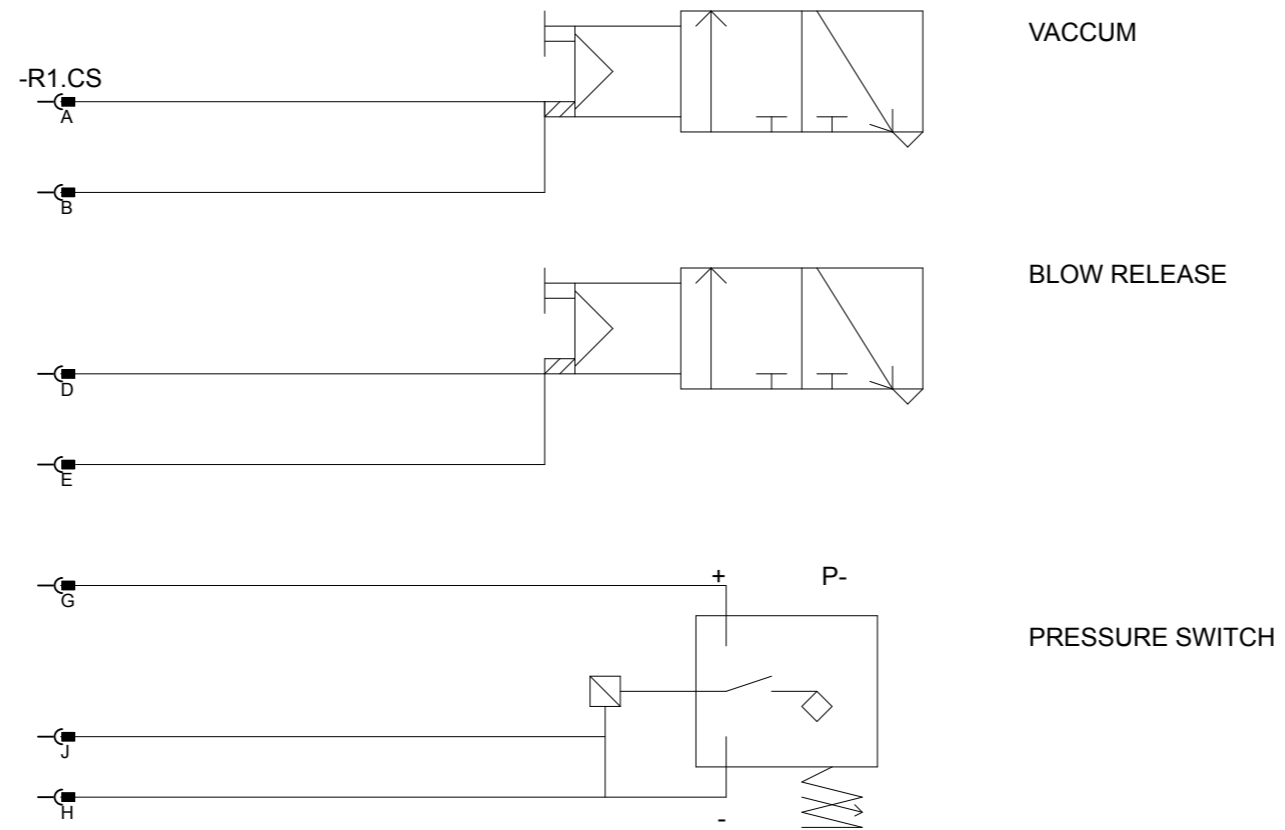
APPROVED

Document no.
3HAC028647-009

Plant: = IRB360
Location: + Manipulator
Sublocation: +

Rev. Ind	107
03	Next 108
	Total 13

We reserve all rights in this document and in the information contained therein. Reproduction, use or disclosure to third parties without express authority is strictly forbidden. © Copyright 2003 ABB



Latest revision:
ECO 67975, WI 74736
Sh 6: CP/CS harness added.

Prepared by, date: Erik Mesaros Approved by, date: Jan Erik Nähls



Lab/Office:
DMRO SE/
PRIM

OPTION: Ejector unit

Status: 2014-11-28

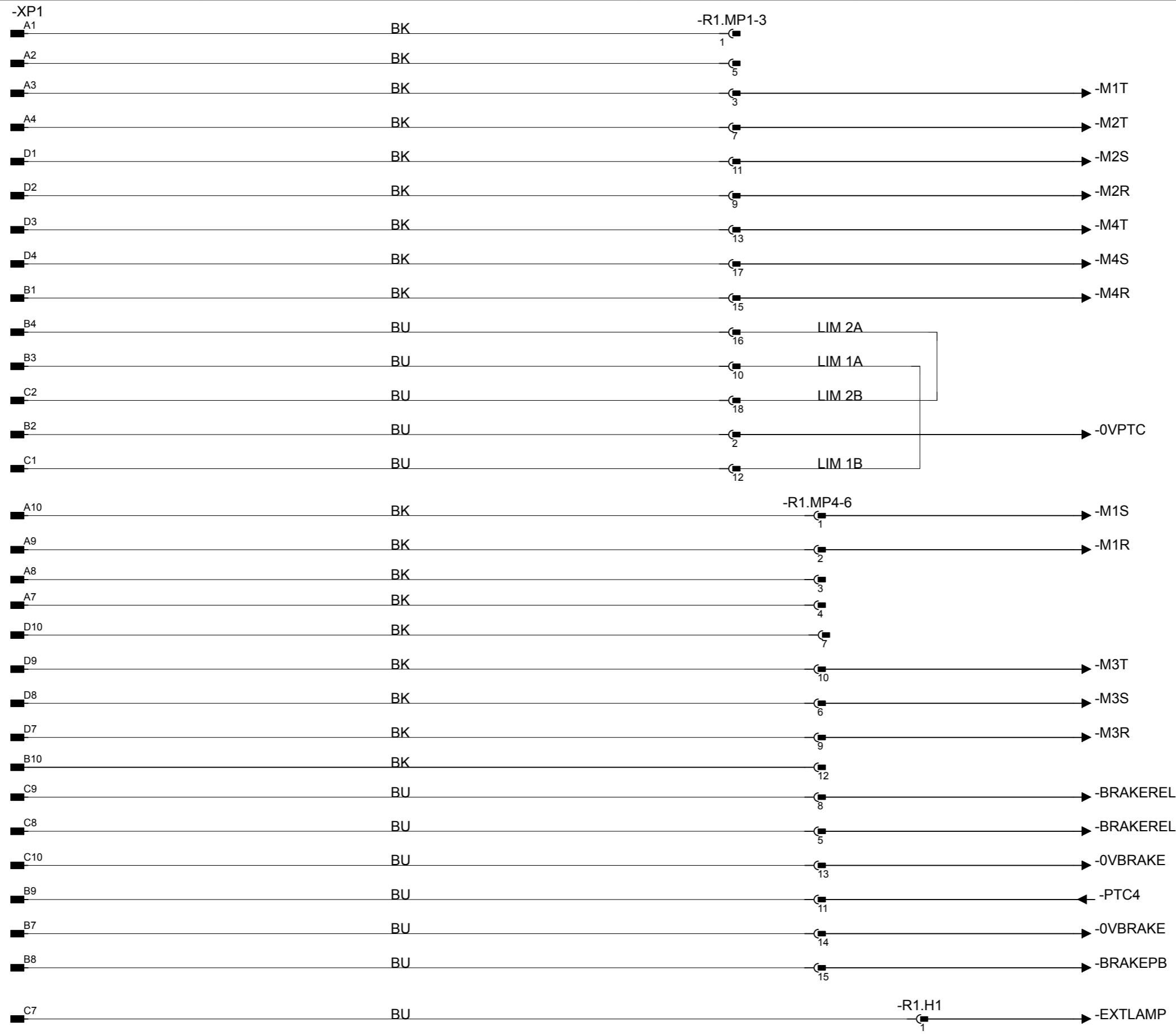
APPROVED

Document no.
3HAC028647-009

Plant: = IRB360
Location: + Manipulator
Sublocation: +

Rev. Ind	108
03	Next 109
	Total 13

We reserve all rights in this document and in the information contained therein. Reproduction, use or disclosure to third parties without express authority is strictly forbidden. © Copyright 2003 ABB



Latest revision:
ECO 67975, WI 74736
Sh 6: CP/CS harness added.

Prepared by, date: Erik Mesaros
Approved by, date: Jan Erik Nähls



Lab/Office:
DMRO SE/
PRIM

OPTION: External connections

Status: 2014-11-28
APPROVED

Plant: = IRB360
Location: + Manipulator
Sublocation: +

Document no.
3HAC028647-009

Rev. Ind	109
03	Next
	Total 13